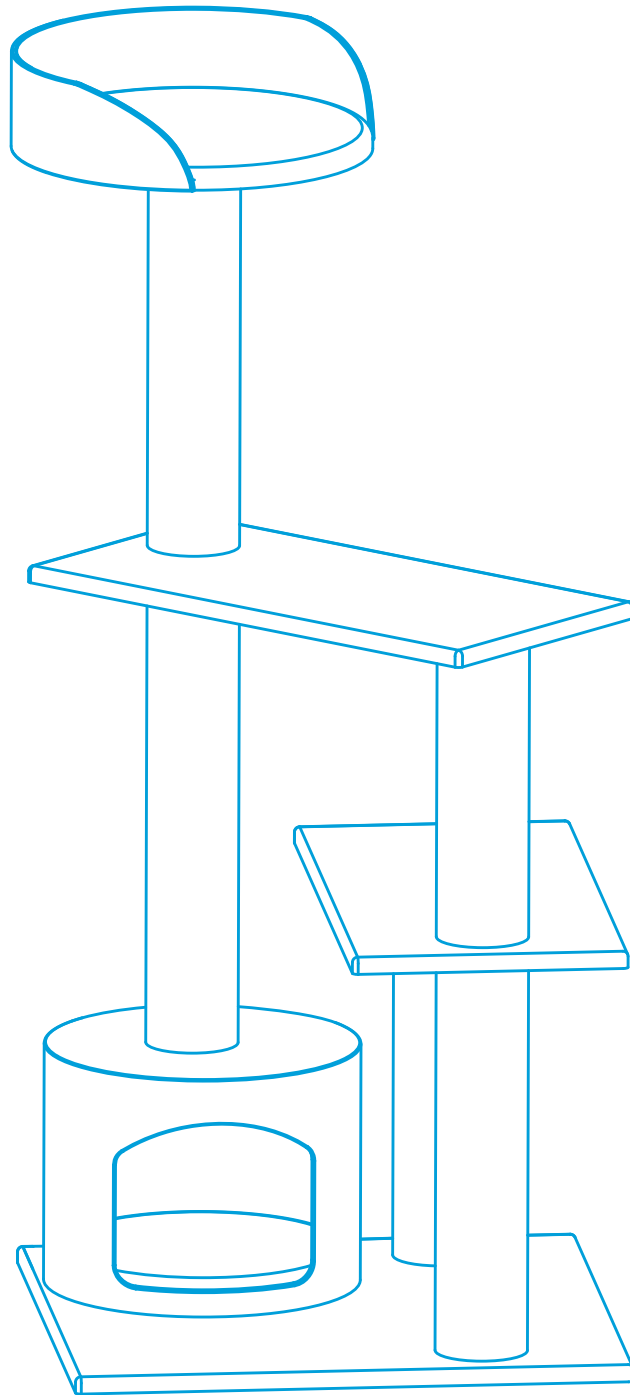


A MATTER OF CAT



49"
Height



ITEM# 11114
OVERALL DIMENSIONS
49" H X 21.25" W X 21.25" L

Contemporary Cat

Assembly Instructions

amatterofcat.com

Thank you for your purchase. Follow these detailed instructions to properly assemble your Contemporary Cat cat tree. As a good pet parent, read all care guides carefully prior to assembly and installation of your new cat tree.














Warnings & Cautions

- Follow instructions in this manual to avoid personal injury to pet or property damage.
- This cat tree is for cat use only, it is not suitable for children.
- Keep all tools and instructions in a safe place for future reference.
- To avoid damage, DO NOT assemble horizontally on the floor and lift to an upright position. Assemble product vertically as shown in instructions.
- Cat trees should be placed on a flat, level surface for stability.
- For additional stability, we recommend placing product against wall of corner.
- Always supervise your pet when using this item.
- Inspect product regularly and re-tighten screws as needed.
- Place your cat tree indoors away from damp areas and direct sunlight.
- If your cat tree gets torn or damaged, please discard it.
- Keep small parts away from pets/children to avoid choking hazard.

Cleaning & Care

Spot clean only with gentle liquid detergent mixed with warm water.
Vacuum fur using a small hand-held vacuum or attachment when necessary.

Parts List

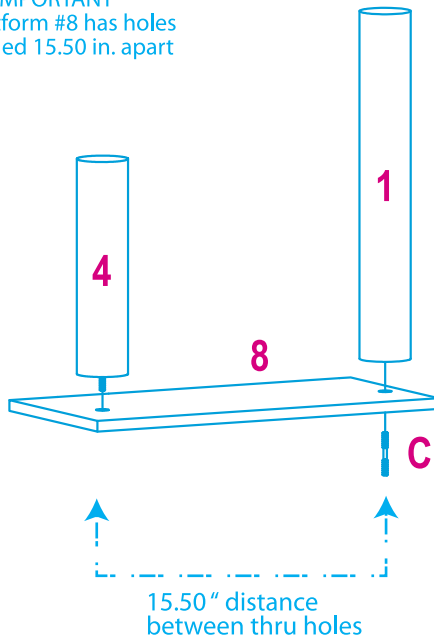
<p>A </p> <p>902409 3 * M8*40mm (1.50" in.)</p>	<p>1 </p> <p>902414 Scratching Post 1 * 19 in.</p>	<p>2 </p> <p>902415 Scratching Post 2 * 16 in.</p>	<p>3 </p> <p>902416 Scratching Post 1 * 16 in.</p>
<p>B </p> <p>902410 1 * M8*35mm (1.40" in.)</p>	<p>4 </p> <p>902417 Scratching Post 1 * 12 in.</p>	<p>5 </p> <p>902418 Hideout 1PC</p>	<p>6 </p> <p>902419 Platform 1PC</p>
<p>C </p> <p>902411 2 * M8*80mm (3.10" in.)</p>	<p>7 </p> <p>902420 Base 1PC</p>	<p>8 </p> <p>902421 Platform 1PC</p>	<p>9 </p> <p>902422 Perch Bed 1PC</p>
<p>D </p> <p>9024121 PC</p>			

If you have any questions or concerns about this product contact our customer service department at cs@amatterofcat.com

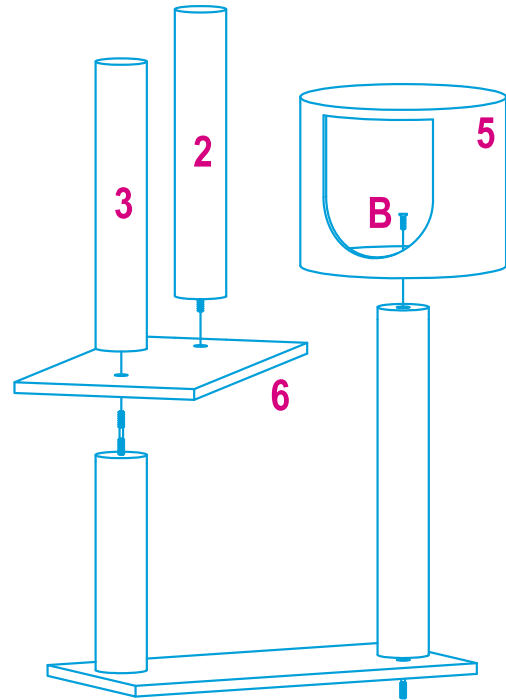
Contemporary Cat Assembly Instructions

STEP 1

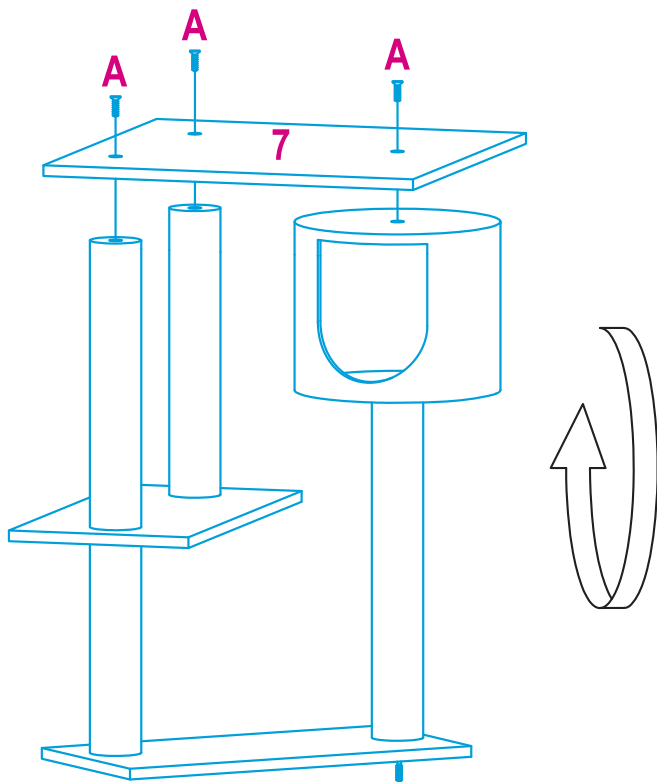
***IMPORTANT
Platform #8 has holes
drilled 15.50 in. apart



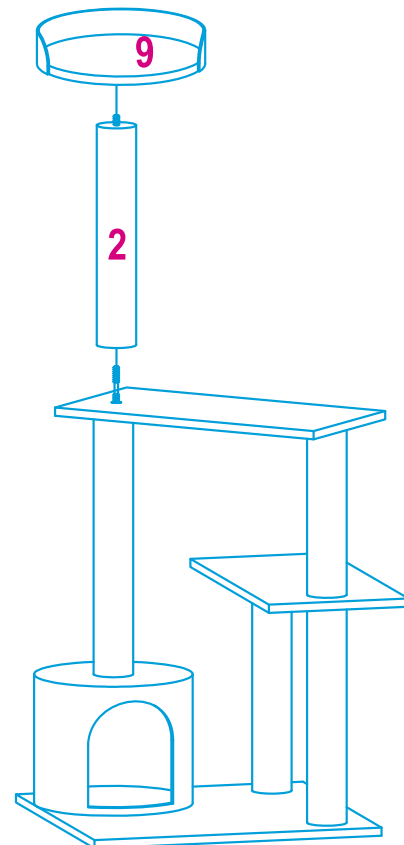
STEP 2



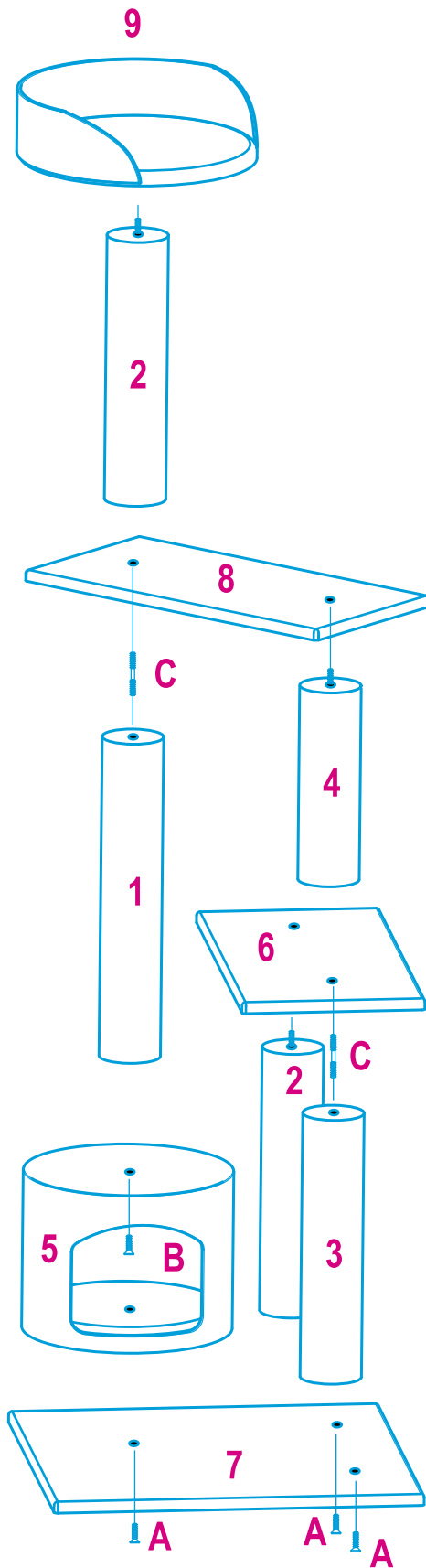
STEP 3



STEP 4



Due to ongoing product improvements,
product photo on packaging may
not match finished product.



#3001114

If you have any questions or concerns about this product
contact our customer service department at cs@amatterofcat.com