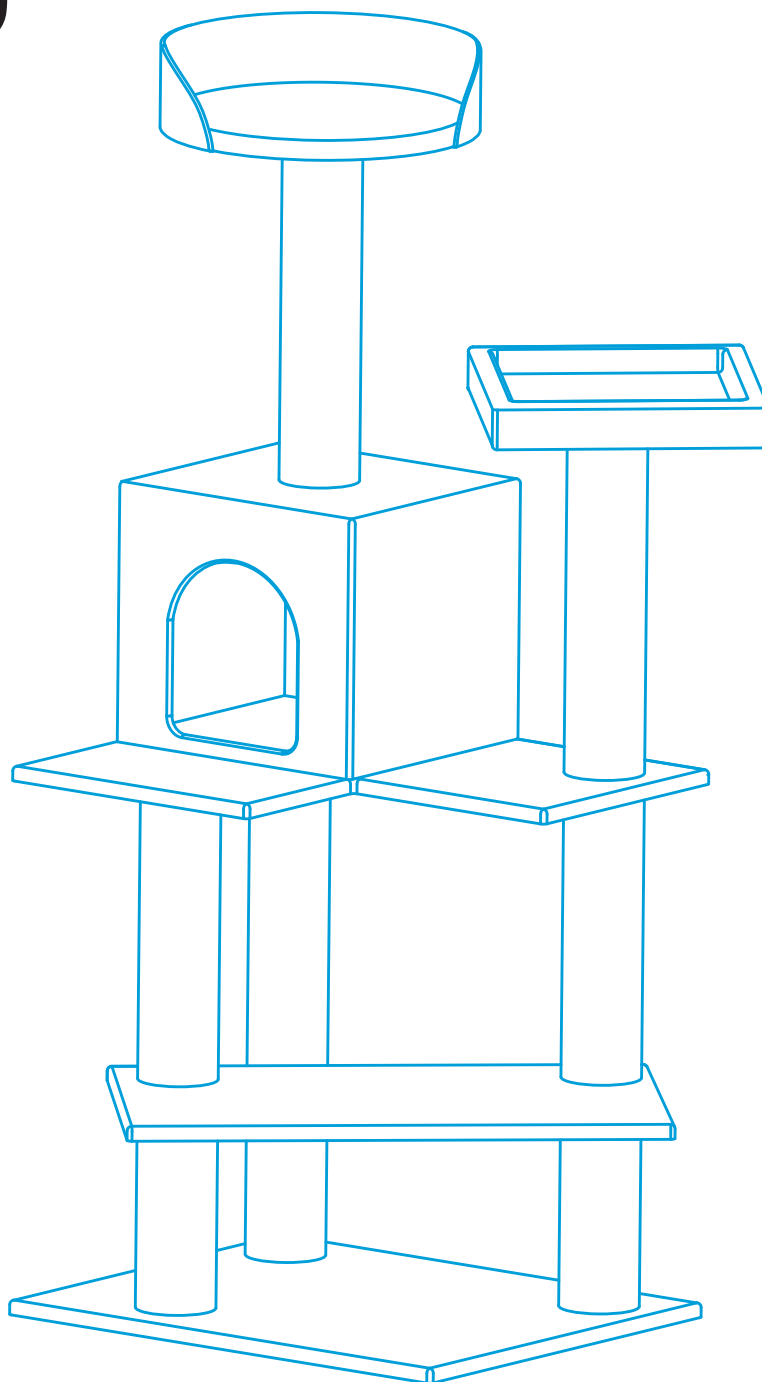


A MATTER OF CAT



53''
Height



ITEM #11120
OVERALL DIMENSIONS
53'' H X 23.6'' W X 19.7'' L

Perch Palace

Assembly Instructions

amatterofcat.com

Thank you for your purchase. Follow these detailed instructions to properly assemble your Perch Palace cat tree. As a good pet parent, read all care guides carefully prior to assembly and installation of your new cat tree.
















Warnings & Cautions

- Follow instructions in this manual to avoid personal injury to pet or property damage.
- This cat tree is for cat use only, it is not suitable for children.
- Keep all tools and instructions in a safe place for future reference.
- To avoid damage, DO NOT assemble horizontally on the floor and lift to an upright position. Assemble product vertically as shown in instructions.
- Cat trees should be placed on a flat, level surface for stability.
- For additional stability, we recommend placing product against wall of corner.
- Always supervise your pet when using this item.
- Inspect product regularly and re-tighten screws as needed.
- Place your cat tree indoors away from damp areas and direct sunlight.
- If your cat tree gets torn or damaged, please discard it.
- Keep small parts away from pets/children to avoid choking hazard.

Cleaning & Care

Spot clean only with gentle liquid detergent mixed with warm water.
Vacuum fur using a small hand-held vacuum or attachment when necessary.

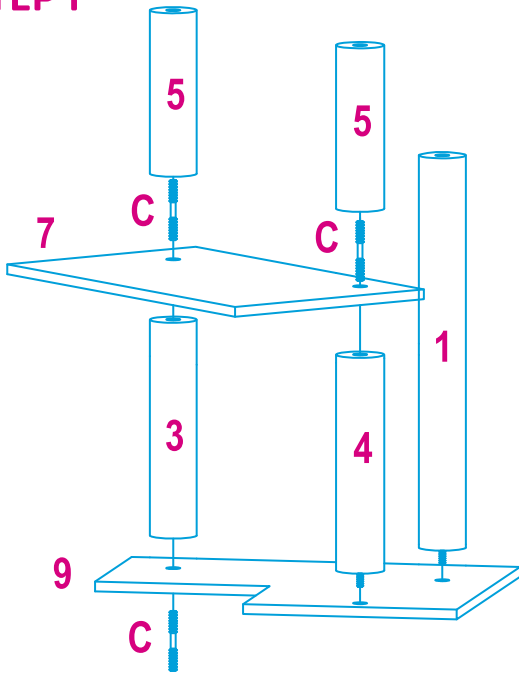
Parts List

<p>A </p> <p>902409 4 * M8*40mm (1.50" in.)</p>	<p>1 </p> <p>902447 Scratching Post 1 * 23-5/8 in.</p>	<p>2 </p> <p>902448 Scratching Post 2 * 15-3/4</p>	<p>3 </p> <p>902449 Scratching Post 1 * 13 in.</p>
<p>B </p> <p>902557 1 * M8*60mm (2.35" in.)</p>	<p>4 </p> <p>902450 Scratching Post 1 * 13 in.</p>	<p>5 </p> <p>902451 Scratching Post 2 * 10 in.</p>	<p>6 </p> <p>902452 Hideout 1PC</p>
<p>C </p> <p>902411 3 * M8*80mm (3.10" in.)</p>	<p>7 </p> <p>902453 Platform 1PC</p>	<p>8 </p> <p>902454 Base 1PC</p>	<p>9 </p> <p>902455 Platform 1PC</p>
<p>D </p> <p>902412 1PC</p>	<p>10 </p> <p>902456 Square Perch 1PC</p>	<p>11 </p> <p>902457 Round Perch 1PC</p>	

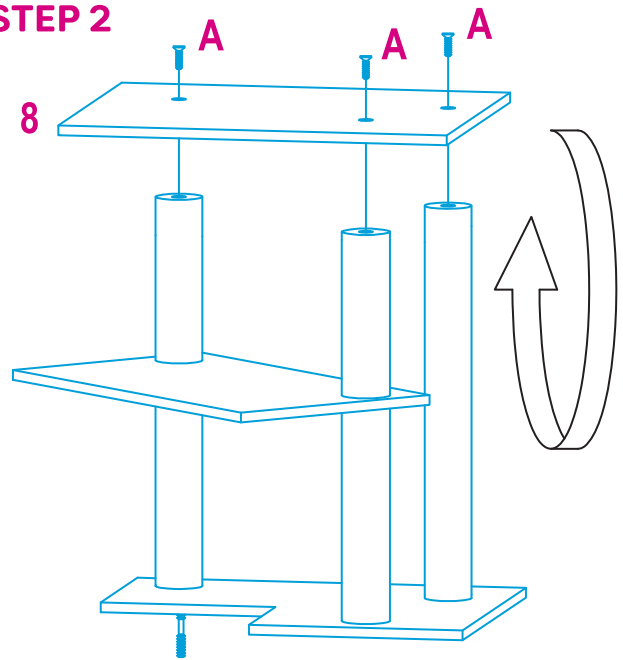
If you have any questions or concerns about this product
contact our customer service department at cs@amatterofcat.com

Perch Palace Assembly Instructions

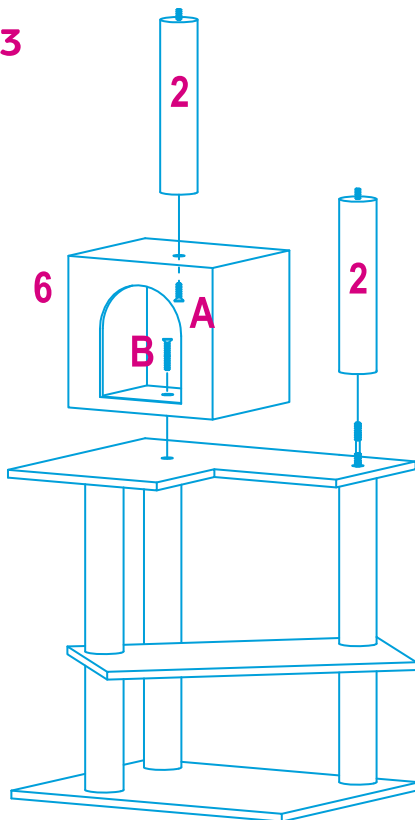
STEP 1



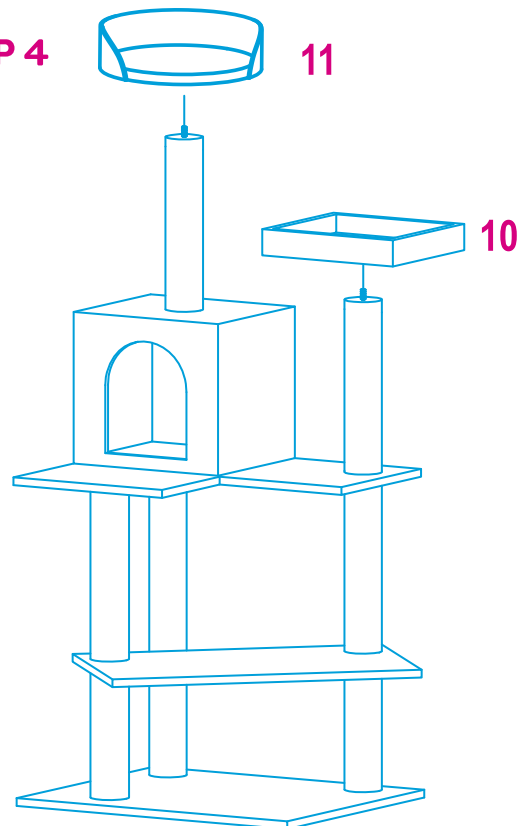
STEP 2



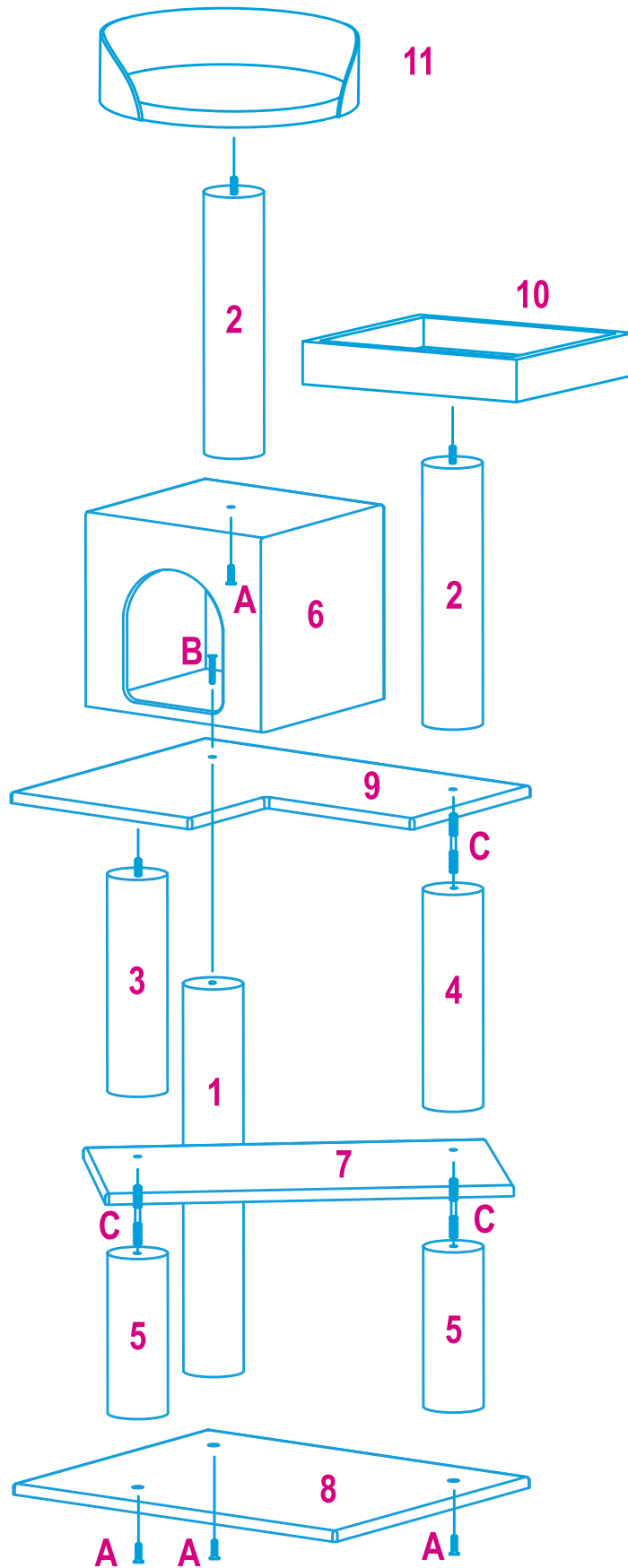
STEP 3



STEP 4



Due to ongoing product improvements,
product photo on packaging may
not match finished product.



#3001120

If you have any questions or concerns about this product
contact our customer service department at cs@amatterofcat.com